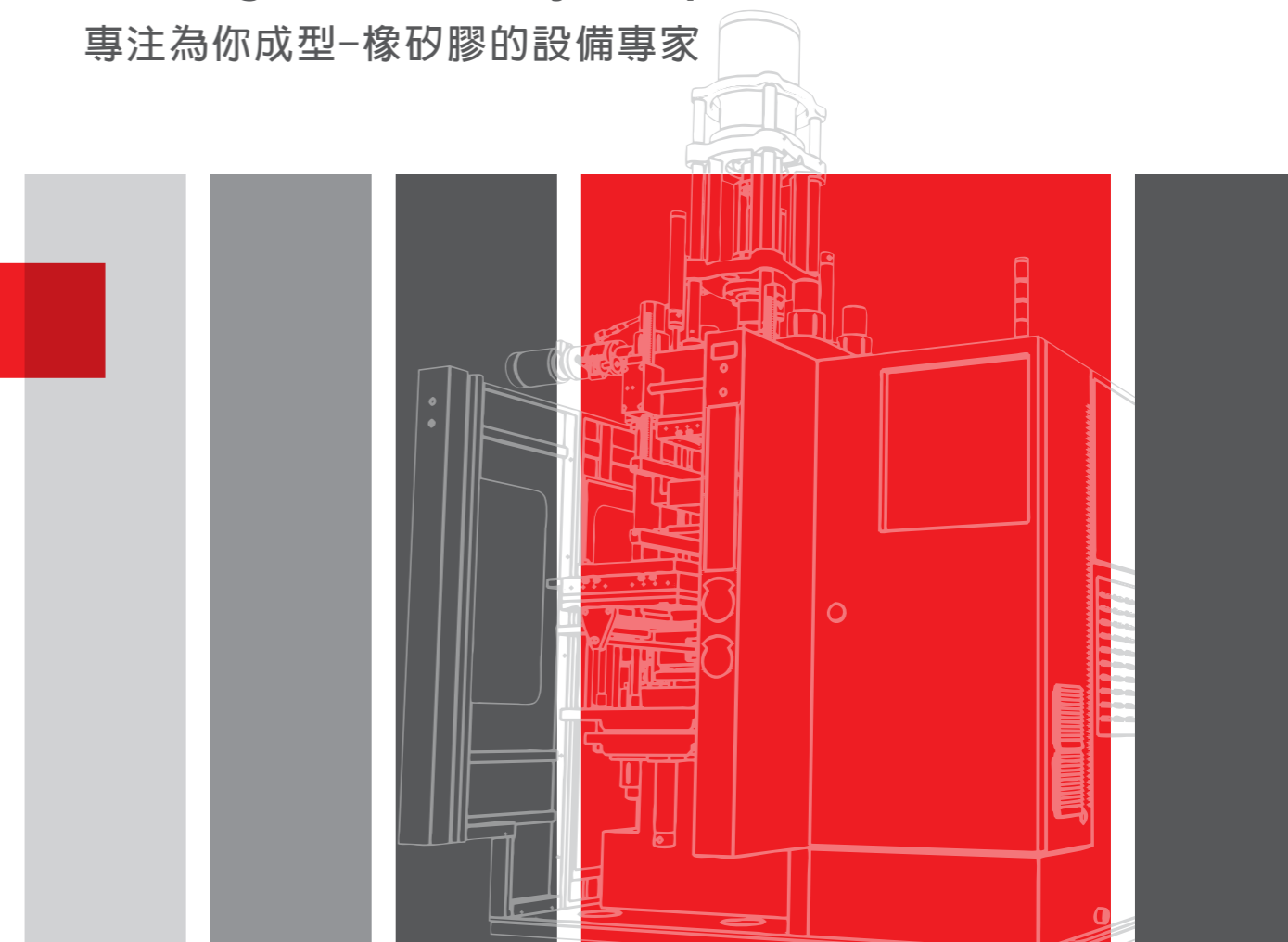




## ► MOLDING FOR YOU

Providing high quality rubber and silicone molding machine for your specific need

專注為你成型-橡矽膠的設備專家



[www.jingday.com](http://www.jingday.com)



敬岱機械股份有限公司  
JING DAY MACHINERY INDUSTRIAL CO., LTD.

71041台南市永康區永科環路195號  
No.195, Yongkehuan Rd., Yongkang Dist., Tainan City 71041, Taiwan  
T. +886-6-232-0999  
F. +886-6-232-5333  
E-mail. [jing0day@ms8.hinet.net](mailto:jing0day@ms8.hinet.net), [jingday@jing-day.com.tw](mailto:jingday@jing-day.com.tw)

橡膠射出、油壓成型機械  
Rubber Injection  
Hydraulic Molding Machine



Designed by Polaris 2018.08 +886-4-24517070

# 03

## ► About Jing-Day

關於敬岱

We Strive for the Best, for You  
為您，我們力求做到最好

# 06

## ► Injection System

射出機系列

Rubber System  
橡膠系列

### JD-RH series

Rubber Injection Molding Machine  
橡膠自動射出成型機

### JD-RL series

Rubber Injection Molding Machine  
橡膠自動射出成型機

Silicon System  
矽膠系列

### JD-RS series

Solid Silicon Injection Molding Machine  
固態矽膠自動射出成型機

### JD-LS series

Liquid Silicon Injection Molding Machine  
液態矽膠自動射出成型機

Others  
其他機型

### JD-RC series

C-Frame Rubber Injection Molding Machine  
C型牆板橡膠自動射出成型機

# 20

## ► Hydraulic System

油壓機系列

### JD-HV series

Vacuum Type Oil Hydraulic Molding Machine  
真空罩油壓成型機

### JD-H series

Hydraulic Molding Machine  
立式自動油壓成型機

# 24

## ► Customized Machinery

客製化機台展示

Find Your Solution  
尋找解決方案

# 26

## ► Optional

選配

Providing You with More Choice  
提供更多選擇

I know what defines success -  
devotion, endeavor, and constant contribution for what we want to achieve.

- Frank Lloyd Wright, Architect

我知道成功的定義，投入、努力，以及持續不斷為想要做到的事情付出。

- 法蘭克·洛伊萊特，美國建築師



Why is Jing Day your best choice of business partner?

為什麼敬岱是您獨一無二的選擇

## ► We Strive for the Best, for You

為您，我們力求做到最好

A considered approach to each client where the projection of Jing Day's core values are taken into account. This is shown in all of the four key aspects of R&D, quality, teamwork and technology.

敬岱「以顧客為出發點」的核心精神，貫徹在研發、品質、團隊、技術四大方面

Why cooperate with Jing Day?

為什麼我們值得您的合作機會



Creating value for our clients  
為客戶創造價值

Whatever we do, we always take into consideration how this brings profit and value to the client.

我們所思所為，都是為客戶創造利益與價值



Commitment  
承諾

Every commitment that we make to you, will be carried out, that is our promise to you.

當我們答應，就一定做到、做好，這點無庸置疑



Trusted  
信任

We know that we can do the best for our customers, but for the customers to believe in our abilities too, we always put the customer first in everything we do.

為了得到客戶信任，我們總是先付出，因為我們有信心做到最好



Exceptional  
卓越

We are the best and this is not only what we believe but also the one and only way for Jing Day to continually improve.

要做就做最好的，這是我們的信念，也是我們卓越的不二法門

## ► Providing High Quality Rubber and Silicone Molding Machine for Your Specific Need

專注橡矽膠成型設備的專家

Jing Day Machinery Industrial Co., Ltd. is a supplier of total rubber and silicon molding machine and related solutions for our global clients. We are committed to design, fabrication (manufacturing), marketing and all services related to rubber and silicon molding machine, our most popular models being the auto-production of rubber molding machines. Our most specialty expertise is in vertical injection molding machines and hydraulic molding machines.

Since founding in 1983, we have been continuously improving our rubber and silicon molding knowhow, and developing different types of bespoke machinery and equipment for each individual client. Our application domains include cars, motorcycles, bicycles; computer, communication and consumer electronics (3C), medical services, industrial parts and sports goods. Our products are valued by the medical services in particular, with 3 of the leading global medical goods makers as part of our clientele.

So far we have provided our machinery to over 60 different nations. In 1999 we founded Yang Ming Rubber Machinery Co., Ltd. in Wuxi, China. This allowed us to achieve a competitive advantage that enabled us to improve our market share. In the future, we plan to supply our clients with even better total solutions to help them tackle any issues effectively so that they can sustainably develop while making the most profit possible.

敬岱提供全球橡矽膠產品客戶全方位的橡矽膠成型設備及解決方案。我們致力於橡矽膠成型設備之設計、製造、行銷及服務，主要機種包括立式射出成型機、油壓成型機，最擅長橡矽膠成型機自動化生產。

自1983年創立至今，我們累積豐厚的橡矽膠成型知識與技術，為客戶開發各式專用機器設備，應用領域橫跨汽車、機踏車、3C、醫療、工業零件、運動用品等產業。尤其在醫療領域中，世界三大醫療用品商皆是我們的客戶。

目前，我們的設備行銷至全球60多個國家。1999年在中國無錫設立陽明橡膠機械股份有限公司，發揮平行整合綜效，成功拓展更廣大的市場。未來，我們提供更多元且全面性的解決方案，幫助客戶有效解決問題、獲得更大利益，深化每個市場的經營，落實永續經營的理念。

## ► Applications 應用領域



\*Automotive Industry / 汽機踏車零配件 Industrial Spare Parts / 工業用零配件 Medical Supplies / 醫療用品 Electrical Appliances / 電器用品 Sports / 運動用品



## ► Global Outlook 放眼國際

Since our founding, we have been constantly striving to improve our global market share, as the demand for quality machinery and equipment is borderless. Global marketing and administration is another one of our competitive advantages.

從創立開始，我們的目標就放在全球市場，機械設備的需求是跨越國際，國際化經營如今成為我們競爭優勢之一。

## ► Every Action That We Take for You, Is Deliberate and Elaborate 每一件事都以顧客為出發點

Our core value is not only to meet every demand of each client but also to maximize its profit. Jing Day believes that good items equal to good deals, so we take into careful consideration all different aspects for each client, including production, R&D, and services. Everything that we do is to ensure that the clients receive the best equipment possible made by Jing Day.

We offer our clients optimal and diversified solutions via synergy of vertical and parallel integration.

- Vertical integration: Integrating the upstream and downstream producers to make sure that the processing quality and quantities meet the customer's standards by the delivery date requested.
- Parallel integration: Working with Kneader Taiwan we established Yang Ming China letting us gain market share in China through cost control.

我們所有的核心都擺在滿足客戶需求，為客戶創造最大利益上。敬岱相信把產品做好就會有好生意，所以無論在研發、在生產、在服務，我們都站在客戶立場思考，給客戶最好的，客戶就會給你最好的生意。

因此，我們發揮垂直平行整合力量，提供客戶更好、更多元的解決方案。

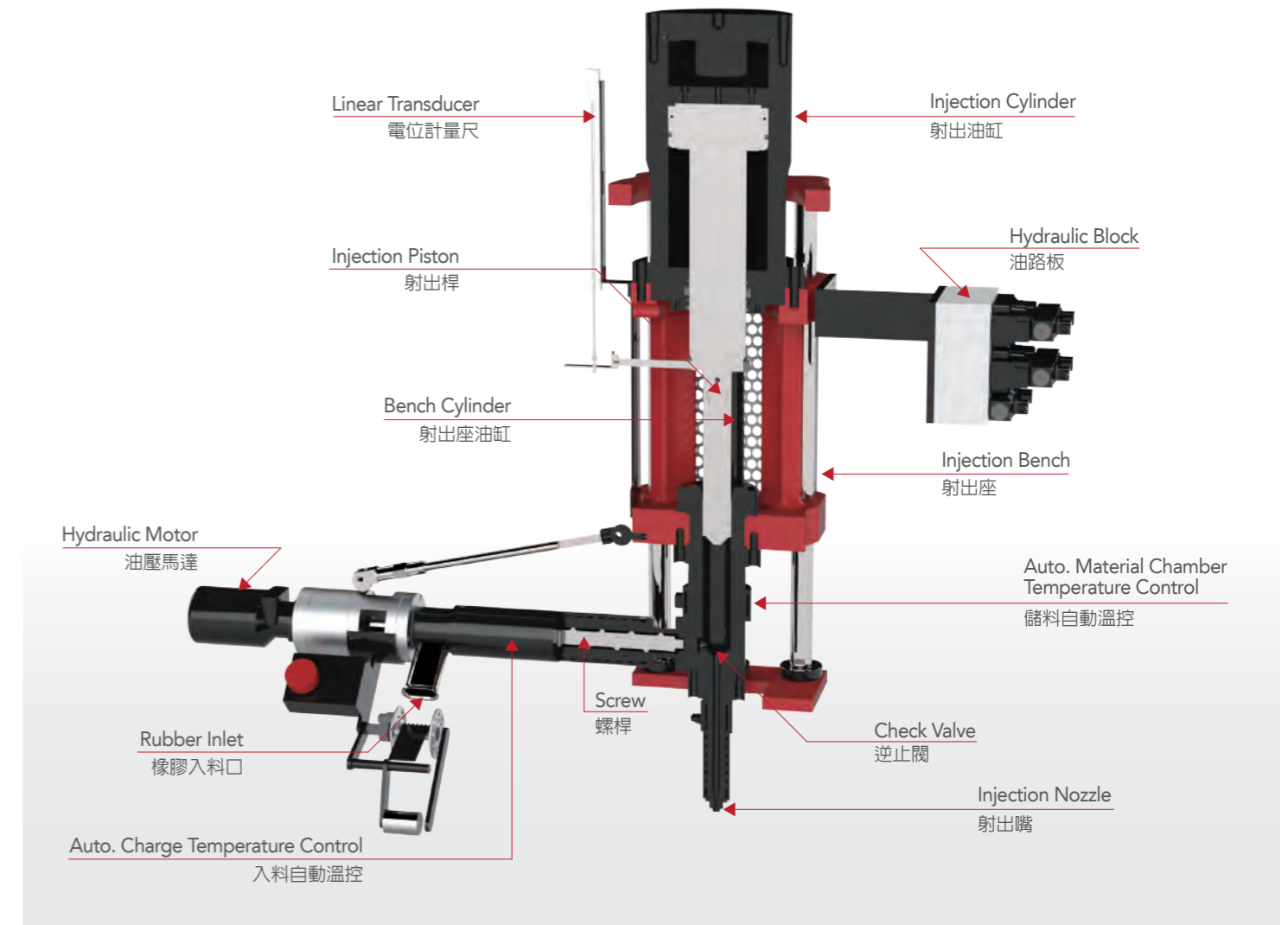
- 垂直整合方面：整合上下游廠商，使加工質量更穩定、交期更有保障。
- 平行整合方面：與利拿公司合資設立大陸陽明公司，掌控成本獲得中國廣大市場。





## Injection System Introduction

### 射出機系列概論



#### Features 特色

- ▶ The charge unit adopts an automatic temperature controller in supplying the constant temperature to maintain better fluidity of material and normal viscosity.
- ▶ The injection unit uses a hydraulic direct drive in 3 stages of pressure and 4 stages of flow. the material can be forced directly. This enables faster processing and stability for a variety of extended applications. The shot volume control by position transducer can have a very distinct output making it suitable for stable production.
- ▶ Automatic feeding device provides precise shot control which can reduce operation time and increase production quantity.
- ▶ Machine function control by HMI. Easy to operate by HMI with many different functions, reduction of 70% of conventional electrical components. Automatic inspection making the machine easier to maintain.

- ▶ 儲料系統：採用自動控溫裝置，可縮短加硫時間，增加產量；節省化學藥量，降低成本
- ▶ 射出系統：採直壓射出（三段壓力，四段流量控制）速度快、穩定，對任何硬度材質均適用。射出量由電位計量器控制，量準確穩定，兼具獨創防溢射出功能，適合大量生產
- ▶ 入料系統：採用自動進料裝置，提供精準射量控制，可縮減人員操控，增加產量，適合大量生產
- ▶ 工業可程式控制器能控制機械動作，操作簡單，功能變化大，控制盤零件減少70%，故障率大幅降低，加上工業可程式控制器自動故障檢測，維護容易

## ▶ JD-RH series

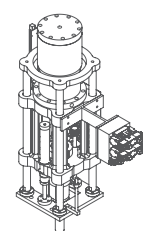
### Other Parts Introduction

#### 其他分部介紹

#### Human Machine Interface / 人機介面

Data is all displayed on the machine, including temperature control, pressure curve diagram, flexible mechanism using function selection, freely setting production parameters and adjustment, self-programming mechanism action flow, production parameter setting memorize, and quick parameter setting selection.

機台即時數據顯示，含溫度控制及壓力曲線圖，並有彈性機構使用功能選擇，能自由設定生產參數及調整，自行編排機構動作流程生產參數記憶，可快速恢復生產參數設定



#### Injection system / 射出系統

The injection unit uses a hydraulic direct drive in 3 stages of pressure and 4 stages of flow. the material can be forced directly. This enables faster processing and stability for a variety of extended applications. The shot volume control by position transducer can have a very distinct output making it suitable with 0.7% tolerance accuracy.

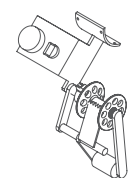
採三段壓力、四段速度控制，適用於各式硬度、材質膠料，並採電位計控制射出位置，射出精度可達千分之七



#### Charging unit / 儲料系統

The automatic temperature control by heating oil. Stable temperature control for feeding area and material.

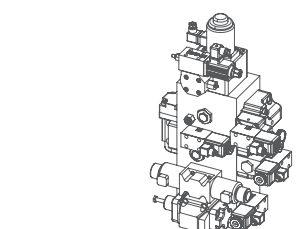
採用自動溫控裝置，確保儲料管內膠料能達到穩定恆溫狀態



#### Material alarm device / 斷料裝置

This device can check if there is any material (rubber strip) and the alarm will sound when the material is either cut off or has finished.

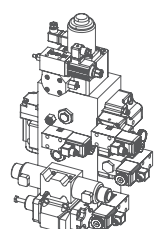
偵測膠料進料狀況，當發生斷料或膠料用盡時，機台會發出警報提醒



#### Integrated hydraulic circuit / 積體油壓迴路

The hydraulic circuit system is designed with proportional and pressure valve control to provide excellent operating performance and highly precise products.

油壓迴路為機體設計，搭配比例式流量、壓力控制閥，提供優異的操作性能及高產能特性



#### Auxiliary double cylinder / 雙小軸油缸

high speed movement design , reduce cycle time, and increases production quantity. 高速開關模的設計，能大幅降低製品成型的循環時間，以提高產能

## ▶ JD-RH series

### Rubber Injection Molding Machine - Direct Clamping

#### 橡膠自動射出成型機 - 直接加壓式



#### Features 特色

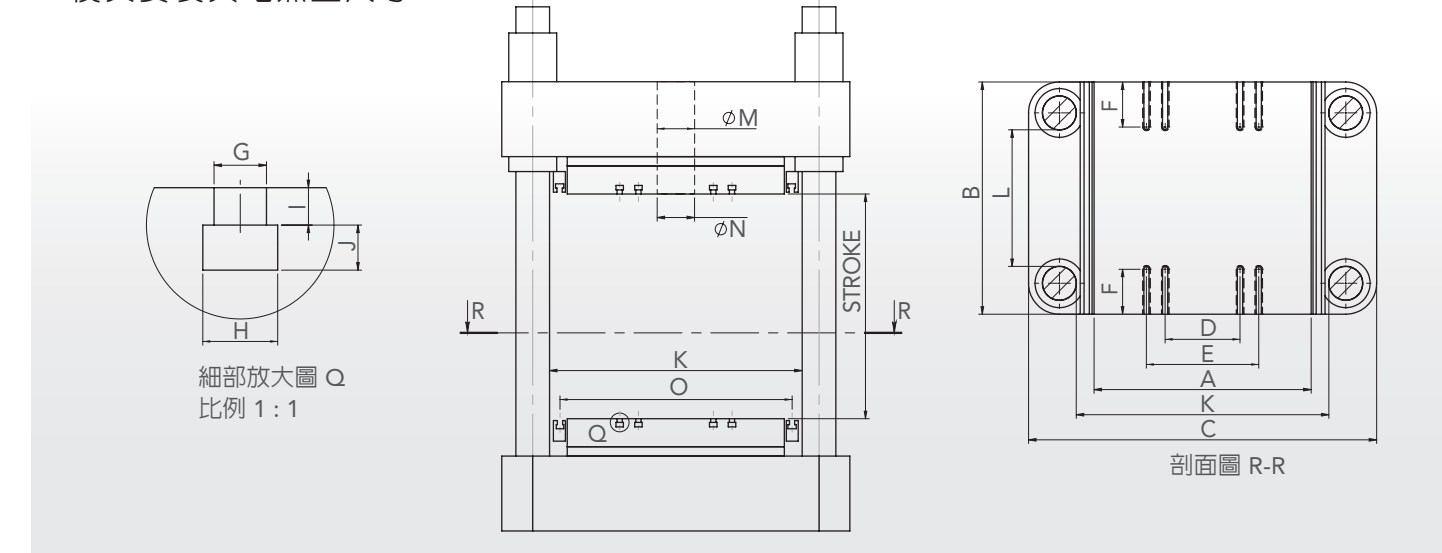
- ▶ Machine for natural, synthetic, oil resistant, heat resistant and reclaimed rubber.
- ▶ High bed structure with direct clamping.
- ▶ PLC and HMI functional control as standard specification.
- ▶ Direct and indirect clamping structure.
- ▶ Specialized nozzle design to prevent material overflow.
- ▶ Specialized feeding device.
- ▶ 本系列機種，適用於天然橡膠，合成橡膠、耐油、耐熱橡膠及再生橡膠等製品
- ▶ PLC可程式控制器及人機介面為標準配備
- ▶ 膠料自動入料及控溫，有效縮減製程時間，提高產能
- ▶ 符合客戶模具成型需求，射出量準確穩定
- ▶ 專利防溢射出頭裝置
- ▶ 專利進料裝置

Scan for more info. 掃描取得更多資訊



## ▶ JD-RH series - Mold Installation & Heating Plate Dimension

### 模具安裝與電熱盤尺寸



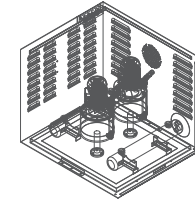
Model	型號	JD-RH65T	JD-RH150T	JD-RH200T	JD-RH260T	JD-RH300T	JD-RH400T	JD-RH500T	JD-RH800T			
Stroke DIM 活塞行程尺寸		380	420	560	480	560	420	600	600	630	700	800
A mm		350	450	480	550	520	580	600	650	650	800	800
B mm		380	510	500	620	580	620	650	730	730	900	850
C mm		610	780	800	930	910	930	960	1060	1060	1290	1270
D mm		150	150	200	200	200	200	200	200	300	300	400
E mm		-	-	300	300	300	400	400	400	500	500	600
F mm		90	120	120	120	135	135	145	145	145	200	200
G mm		13	18	18	18	18	18	18	18	18	18	18
H mm		21	25	25	25	25	25	25	25	25	25	25
I mm		10	10	10	10	10	10	10	10	10	10	10
J mm		11	12	12	12	12	12	12	12	12	12	12
K mm		430	550	575	675	645	660	695	795	780	970	915
L mm		200	300	210	365	275	350	295	455	440	580	485
M mm		100	100	100	100	100	100	120	150	140	140	150
N mm		70	80	86	86	95	95	100	100	100	100	120
O mm		390	490	520	620	580	620	640	720	720	880	855

Model	型號	JD-RH65T	JD-RH150T	JD-RH200T	JD-RH260T	JD-RH300T	JD-RH400T	JD-RH500T	JD-RH800T
Shot Volume 射出量		300/500	500/1000	1000/1500	1500/2000/2500	2000/2500/3000	2500/3000/4000	3000/4000/5000	7000/10000/12000
Injection Pressure 射出壓力		1600	1600	1600	1600	1600	1600	1600	1600/1100/1100
Injection Cylinder Pressure 射出油缸壓力		150	150/140	140/150	150	150/150/140	150/140/170	140/170/150	150
Injection Rate 射出速率		65	65	70/75	100	100/100/120	160/150/180	150/180/160	270/380/380
Screw Diameter 螺桿直徑		32	45	45	45	45	50	65	65
Strip Dimension (T×W) 適用膠條尺寸(厚×寬)		6×30	10×60	10×60	10×60	10×60	10×60	10×60	10×60
Clamping Force 鎖模力		65	150	200	260	300	400	500	800
Plate Size 盤面尺寸		350×380	450×510	480×500	550×620	520×580/520×800	580×620	600×650	650×730
Piston Diameter 活塞直徑		200	310	355	400	430	500	560	700
Piston Stroke 活塞行程		380	420	560	480	560	420	600	630
Space Between Tie Bar 圓柱內距		430×200	550×300	575×210	675×365	645×275	660×350	695×295	795×455
Oil Hydraulic System 油壓系統用		7.5	10	15	20	20/20/25	30/30/40	30/40/40	50
Hot Oil Cycling Motor 熱煤油循環馬達		0.5*2	0.5*2	0.5*2	0.5*2	0.5*2	0.5*2	0.5*2	0.5*3
Platen Heating Capacity 盤面加熱用		7.6	10	15	20.8	20	21	25	25.8
System Pressure 系統壓力		210	210	210	210	210	210	210	210
Oil Tank Capacity 油箱容量		250	360	370	470	560	600	890	1000
Machine Dimensions 機械尺寸		1300×900×2850	2550×2000×2450	2550×1880×3880	2830×2000×3940	2950×2070×3890	3120×2600×4160	3050×2700×5190	3040×2390×4080
Machine Weight (Approx) 機械重量		4100	5500	6200	6500	8000	8100	8600	11000

\*Machines are mostly customized, the images are for reference only; actual specifications are based on the finished products. \*機器皆為客製化，故配備會有所差異，此僅為示意，請以實際為準

► JD-RH horizontal series

Rubber Injection Molding Machine (Horizontal)  
橡膠自動射出成型機 (水平式)



Temperature control device / 衡溫裝置

The temperature control by PLC and SSR system. Ensure that screw feeding and charging area temperature is stable, preventing material vulcanize in these area.

採用PLC運算及SSR控制系統，控制入料管及儲料管溫度達到溫度穩定，確保膠料不會在料管內產生硫化現象



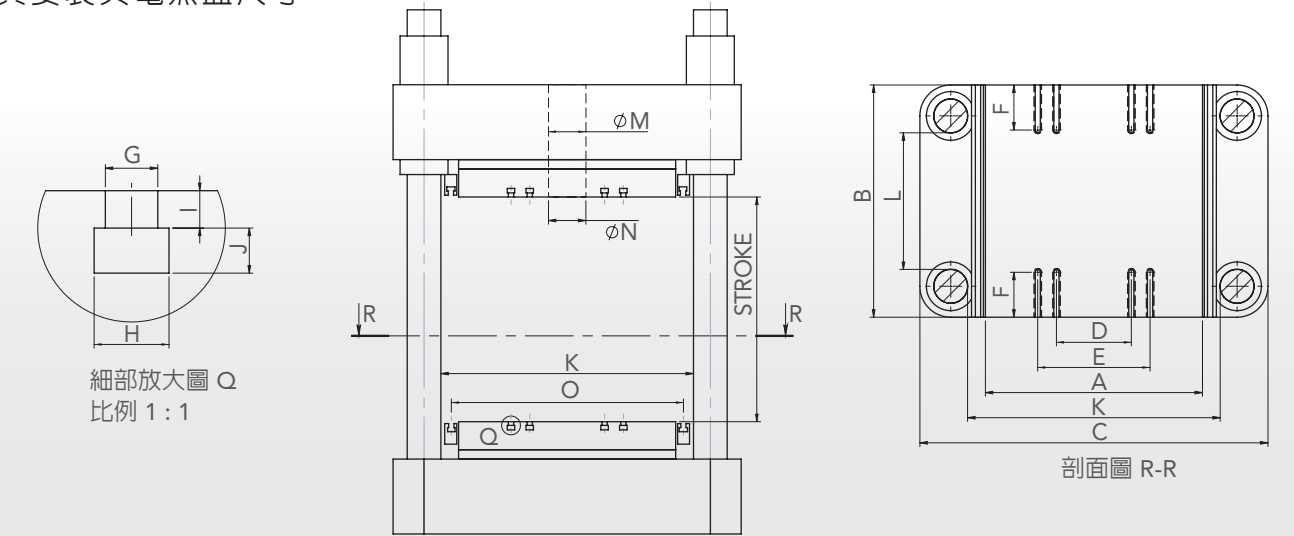
Safety screen / 安全光柵

Use REER as the leader in Italy's optoelectronic safety sensor manufacturing. The infrared beam is used to detect the operator or object to ensure the safety of the operator and the machine. Depending on the operation of various types of machines, selecting or performing different functions through the security interface, single or multiple beam detection can be used to satisfy most of the requirements or select various functions.

選用 REER- 義大利光電安全傳感器製造業的領導者。利用紅外線光束偵測操作者或物體，以確保人員的安全和機器不受損。依據機器的運作和需求，可以設定不同功能，也能選擇單一或多個光束進行偵測



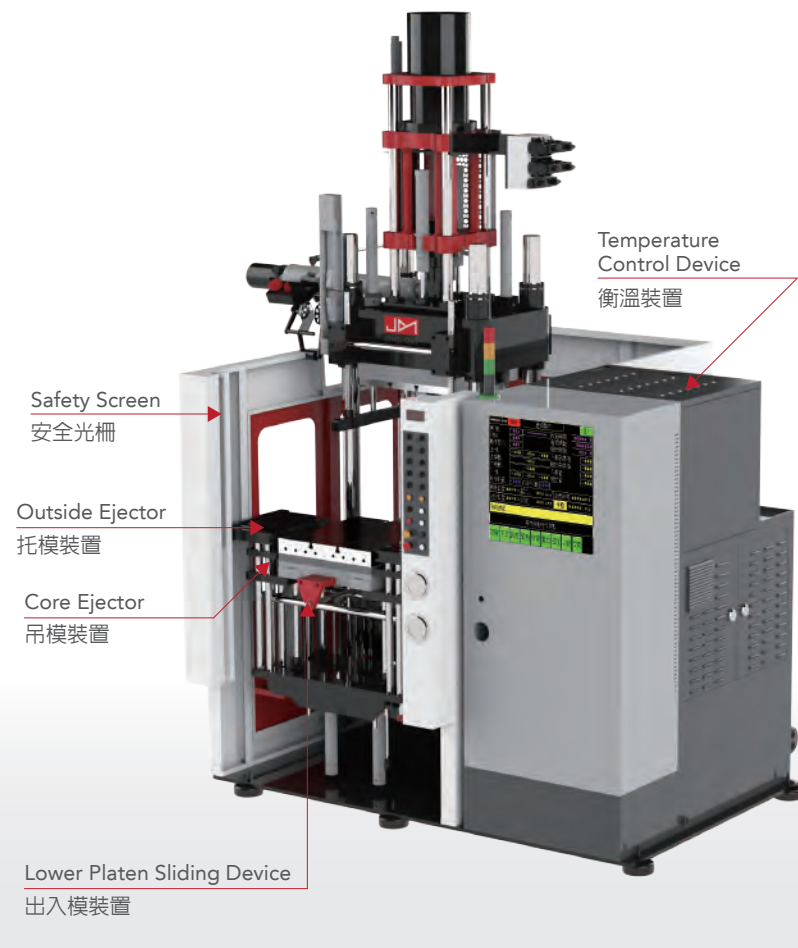
► JD-RH horizontal series - Mold Installation & Heating Plate Dimension  
模具安裝與電熱盤尺寸



Model	型號	JD-RH65T	JD-RH200T	JD-RH260T	JD-RH300T	JD-RH400T	JD-RH500T
Stroke DIM 活塞行程尺寸		380	560	480	560	420	600
A mm		350	480	550	520	580	600
B mm		380	500	620	580	620	650
C mm		610	800	930	910	930	960
D mm		150	200	200	200	200	200
E mm		-	300	300	300	300	400
F mm		90	120	120	135	135	145
G mm		13	18	18	18	18	18
H mm		21	25	25	25	25	25
I mm		10	10	10	10	10	10
J mm		11	12	12	12	12	12
K mm		430	575	675	645	660	695
L mm		200	210	365	275	350	295
M mm		100	100	100	100	100	120
N mm		70	86	86	95	95	100
O mm		390	520	620	580	620	640

Model	型號	JD-RH65T	JD-RH200T	JD-RH260T	JD-RH300T	JD-RH400T	JD-RH500T					
Shot Volume	射膠量	500	1500	1500/2000	2000/4000	3000/4000	4000/5000	c.c.				
Injection Pressure	射出壓力	1600	1600	1600	1600	1600	1600	kgf/cm <sup>2</sup>				
Injection Cylinder Pressure	射出油缸壓力	170	170	170	170	170	170/120	kg/cm <sup>2</sup>				
Injection Rate	射出速率	70	100	100	100/165	165	165/170	c.c./sec				
Screw Diameter	螺桿直徑	32	45	45	45	45	50	mm				
Strip Dimension (T×W)	適用膠條尺寸(厚×寬)	6×30	10×60	10×60	10×60	10×60	10×60	mm				
Clamping Force	鎖模力	65	200	260	300	400	500	Ton				
Plate Size	盤面尺寸	350×380	480×500	550×620	520×580/520×800	580×620	600×650	650×730	650×730	800×900	800×850	mm
Piston Diameter	活塞直徑	200	355	400	430	500	560	mm				
Piston Stroke	活塞行程	380	560	480	560	420	600	630	700	mm		
Space Between Tie Bar	圓柱內距	430×200	575×210	675×365	645×275	660×350	695×295	795×455	780×440	970×580	915×485	mm
Oil Hydraulic System	油壓系統用	10	20	20	20/30	30	40	HP				
Hot Oil Cycling Motor	熱煤油循環馬達	0.5*2	0.5*2	0.5*2	0.5*2	0.5*2	0.5*2	kw				
Platen Heating Capacity	盤面加熱用	7.6	15	20.8	20	21	25	25.8	25.8	35.6	35.6	kw
System Pressure	系統壓力	210	210	210	210	210	210	210	210	210	kg/cm <sup>2</sup>	
Oil Tank Capacity	油箱容量	250	370	470	560	600	890	liters				
Machine Dimensions	機械尺寸	1300×900×2850	2550×1880×3880	2830×2000×3940	2950×2070×3890	3120×2600×4160	3050×2700×5190	3040×2390×4080	3040×2390×4080	3420×2780×5400	3240×3630×5520	mm
Machine Weight (Approx)	機械重量	4100	6200	6500	8000	8100	8600	11000	11000	12500	14500	kg

\*Machines are mostly customized, the images are for reference only; actual specifications are based on the finished products.  
\*機器皆為客製化，故配備會有所差異，此僅為示意，請以實際為準



Lower platen sliding device / 出入模裝置

This device provides the convenience of the placement of raw materials and the removal of finished products. The device has been heat treated to increase service life.

便於原料放置及成品取出，增加操作員便利性。滑軌經高硬度處理，可增加使用年限

Core ejector / 吊模裝置

For multi-layer template design, the middle and upper sections of the mold can be fixed to this device.

針對多層模板設計，可將中層模板或上模板固定於裝置上

Outside ejector / 托模裝置

This device allows the mold to be separated, can facilitate the function of removing or automatically ejecting the finished product, or flipping the mold as per user requirements.

此裝置能使三層以上的模板分離，以便於取出成品。可選配項目包含：模具自動頂出成品功能和模板翻轉

► **JD-RL series**

Rubber Injection Molding Machine - Indirect Clamping

橡膠自動射出成型機 - 間接加壓式

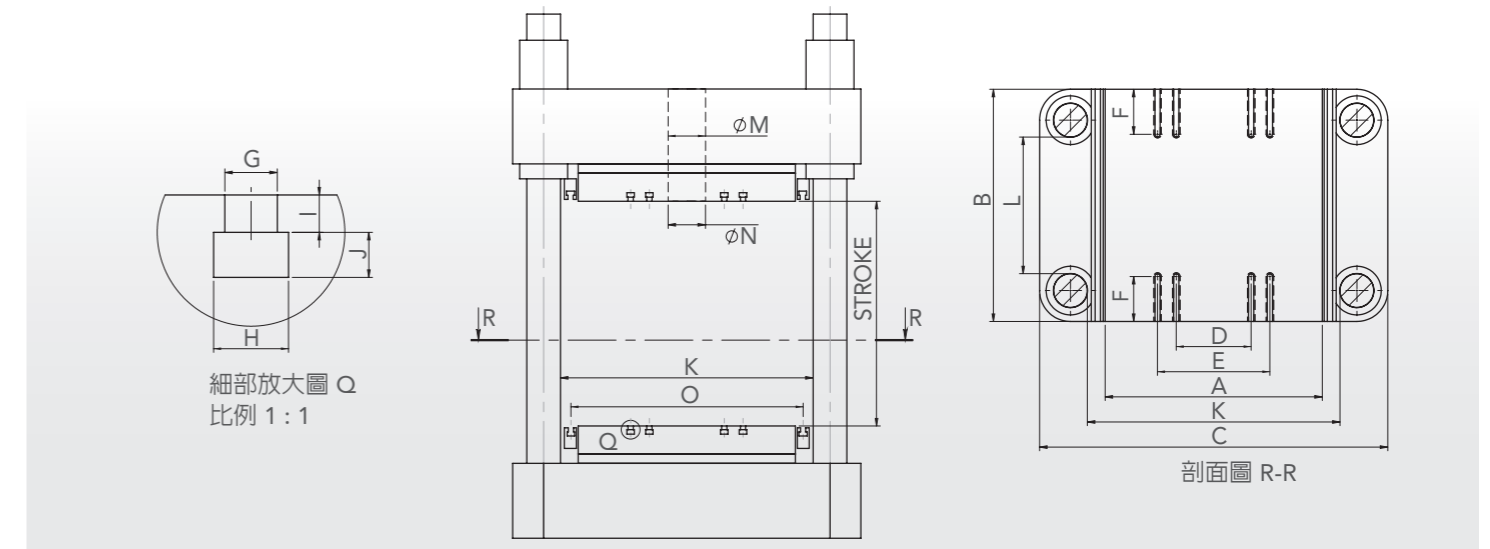


**Features** 特色

- Machine for natural, synthetic, oil resistant, heat resistant and reclaimed rubber.
  - Low bed structure with lower working platen high.
  - PLC and HMI functional control as standard specification.
  - Direct and indirect clamping structure.
  - Specialized nozzle design to prevent material overflow.
  - Specialized feeding device.
- 本系列機種適用於天然橡膠，合成橡膠、耐油、耐熱橡膠及再生橡膠等製品
  - 低床型結構，降低工作高度
  - PLC可程式控制器及人機介面為標準配備
  - 專利防溢射出頭裝置
  - 專利進料裝置

► **JD-RL series - Mold Installation & Heating Plate Dimension**

模具安裝與電熱盤尺寸



Model	型號	JD-RL260T	JD-RL400T	JD-RL580T	JD-RL700T	JD-RL800T	JD-RL1200T	JD-RL1500T
Stroke DIM	活塞行程尺寸	560	650	760	800	1000	1000	1000
A	mm	520	600	700	750	1000	1200	1500
B	mm	580	650	720	900	1000	1200	1500
C	mm	910	970	1135	1260	1470	1745	2100
D	mm	200	200	300	400	400	400	500
E	mm	300	400	500	600	800	800	1000
F	mm	135	165	180	250	375	375	500
G	mm	18	18	18	18	28	28	28
H	mm	25	25	25	25	39	39	39
I	mm	10	10	10	10	20	20	20
J	mm	12	12	12	12	17	17	17
K	mm	645	680	805	910	1100	1265	1600
L	mm	275	280	385	510	630	675	1000
M	mm	100	120	150	200	200	240	240
N	mm	95	95	96	125	110	110	110
O	mm	580	640	750	860	-	-	-

Model	型號	JD-RL260T	JD-RL400T	JD-RL580T	JD-RL700T	JD-RL800T	JD-RL1200T	JD-RL1500T	
Shot Volume	射膠量	1000/1500/2000	2500/3000/4000	3000/5000/7000	5000/7000/10000	7000/10000	10000/15000/18000	15000/20000/25000	c.c.
Injection Pressure	射出壓力	1600	1600	1600	1600/1600/1200	1600/1200	1200/1200/1100	1100/1100/1200	kgf/cm <sup>2</sup>
Injection Cylinder Pressure	射出油缸壓力	140/150/150	150/140/170	140/150/150	150	150	150	150	kg/cm <sup>2</sup>
Injection Rate	射出速率	100	160/150/180	150/220/220	220/220/380	220/380	380/430/430	430	cc/sec
Screw Diameter	螺桿直徑	45	45	50	50	65	65	65	mm
Strip Dimension (T×W)	適用膠條尺寸(厚×寬)	10×60	10×60	10×60	10×60	10×60	10×100	10×100	mm
Clamping Force	鎖模力	260	400	580	700	800	1200	1500	Ton
Platen Size	盤面尺寸	520×580	600×650	700×720	750×900	1000×1000	1200×1200	1500×1500	mm
Piston Diameter	活塞直徑	400	495	600	660	700	900	955	mm
Closing Stroke	合模行程	560	650	760	800	1000	1000	1000	mm
Clamping Stroke	加壓行程	60	100	100	100	100	100	100	mm
Space Between Tie Bar	圓柱內距	645×275	680×280	805×385	910×510	1100×630	1265×675	1600×1000	mm
Oil Hydraulic System	油壓系統用	20	30/30/40	30/30/40	40/40/50	40/50	50/75/75	75	HP
Hot Oil Cycling Motor	熱煤油循環馬達	0.5×2	0.5×2	0.5×2	0.5×3	0.5×3	0.5×3	0.5×3	kw
Platen Heated	盤面加熱用	16	19.6	23.2	30.4	Steam蒸氣/Coal Oil熱煤油	Steam蒸氣/Coal Oil熱煤油	Steam蒸氣/Coal Oil熱煤油	kw
System Pressure	系統壓力	210	210	210	210	210	210	210	kg/cm <sup>2</sup>
Oil Tank Capacity	油箱容量	470	500	520	660	950	1140	1140	liters
Machine Dimensions	機械尺寸	2950×2070×3350	3000×2400×4400	3500×2200×5400	3550×2300×5500	3750×3730×6490	4170×4270×7300	4400×5050×7120	mm
Machine Weight (Approx)	機械重量	8200	12600	13500	14800	19000	33500	47000	kg

\*Machines are mostly customized, the images are for reference only; actual specifications are based on the finished products.  
\*機器皆為客製化，故配備會有所差異，此僅為示意，請以實際為準

## ► Solid Silicon of Stuffer Introduction

固態矽膠儲料筒



Silicon Cartridge		矽膠筒規格	
Line 1	項次1	1500	c.c.
Line 2	項次2	6000	c.c.
Line 3	項次3	12000	c.c.

## ► JD-RS series

Solid Silicon Injection Molding Machine

固態矽膠自動射出成型機



### Features 特色

- Machine used for solid silicon production. 本系列機種，專用於固態矽膠製品
- PLC and HMI functional control as standard specification. PLC可程式控制器及人機介面為標準配備
- Direct and indirect clamping structure. 高/低床型結構
- Specialized nozzle design to prevent material overflow. 專利防溢射出頭裝置
- Customized silicon feeding system to reduction operation time. 依照客戶產品劑量，提供多規格矽膠筒選用，能節省人力供料時間，提高效能

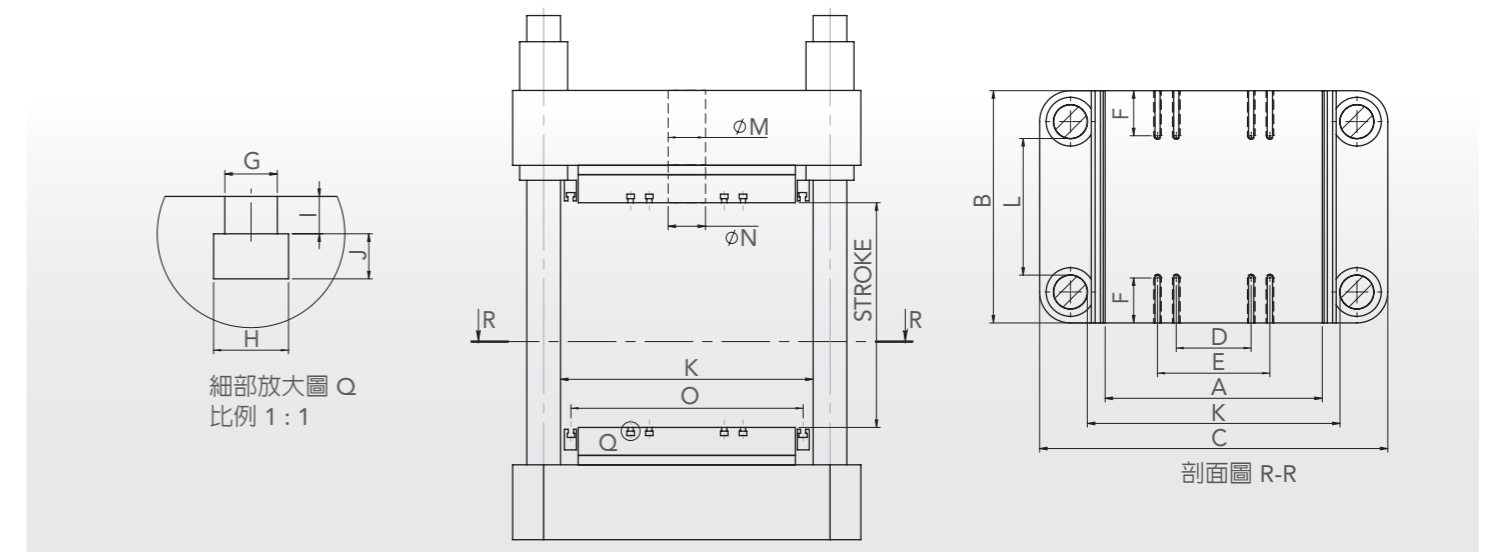
### Features 特色

- Automatic feeding system and material cut off sensor device.
- Simple material feeding area design & multiple specifications.
- 自動進料、缺料感應裝置
- 便利性放料口設計
- 多規格選擇

Model	型號	JD-RS65T	JD-RS150T	JD-RS200T	JD-RS260T	JD-RS300T	JD-RS400T	JD-RS580T			
Shot Volume	射膠量	300/500	500/1000	1000/1500	1500/2000/2500	2000/2500/3000	2500/3000/4000	3000/5000/7000	c.c.		
Injection Pressure	射出壓力	1600	1600	1600	1600	1600	1600	1600	kgf/cm <sup>2</sup>		
Injection Cylinder Pressure	射出油缸壓力	150	150/140	140/150	150	150/150/140	150/140/170	140/150/150	kg/cm <sup>2</sup>		
Injection Rate	射出速率	65	65	70/75	100	100/100/120	131/127/178	127/140/156	c.c./sec		
Screw Diameter	螺桿直徑	32	45	45	45	45	45	50	mm		
Clamping Force	鎖模力	65	150	200	260	300	400	580	Ton		
Plate Size	盤面尺寸	350×380	450×510	480×500	550×620	520×580/520×800	600×650	650×730	600×650	700×720	mm
Piston Diameter	活塞直徑	200	310	355	400	430	500	495	600	mm	
Piston Stroke	活塞行程	380	420	560	480	560	600	600	650	760	mm
Space Between Tie Bar	圓柱內距	430×200	550×300	575×210	675×365	645×275	695×295	780×440	680×280	805×385	mm
Oil Hydraulic System	油壓系統用	7.5	10	15	20	25/25/30	30/30/40	30	30/30/40	HP	
Hot Oil Cycling Motor	熱煤油循環馬達	0.5*2	0.5*2	0.5*2	0.5*2	0.5*2	0.5*2	0.5*2	0.5*2	kw	
Platen Heating Capacity	盤面加熱用	7.6	10	15	20.8	20	25	25.8	19.6	23.2	kw
System Pressure	系統壓力	210	210	210	210	210	210	210	210	210	kg/cm <sup>2</sup>
Oil Tank Capacity	油箱容量	250	360	370	470	560	600	500	520	liters	
Machine Dimensions	機械尺寸	1300×900×2850	2550×2000×2450	2550×1880×3880	2830×2000×3940	2950×2070×3890	3050×2700×5190	3040×2390×4080	3000×2400×4400	3500×2200×5400	mm
Machine Weight (Approx)	機械重量	4100	5500	6200	6500	8000	8600	11000	12600	13500	kg
High / Low Bed Structure	高低床結構	High 高	High 高	High 高	High 高	High 高	High 高	High 高	Low 低	Low 低	

## ► JD-RS series - Mold Installation & Heating Plate Dimension

模具安裝與電熱盤尺寸



Model	型號	JD-RS65T	JD-RS150T	JD-RS200T	JD-RS260T	JD-RS300T	JD-RS400T	JD-RS580T		
Stroke DIM	活塞行程尺寸	380	420	560	480	560	600	600	650	760
A	mm	350	450	480	550	520	600	650	600	700
B	mm	380	510	500	620	580	650	730	650	720
C	mm	610	780	800	930	910	960	1060	970	1135
D	mm	150	150	200	200	200	200	200	200	300
E	mm	-	-	300	300	300	400	400	400	500
F	mm	90	120	120	120	135	145	145	165	180
G	mm	13	18	18	18	18	18	18	18	18
H	mm	21	25	25	25	25	25	25	25	25
I	mm	10	10	10	10	10	10	10	10	10
J	mm	11	12	12	12	12	12	12	12	12
K	mm	430	550	575	675	645	695	780	680	805
L	mm	200	300	210	365	275	295	440	280	385
M	mm	100	100	100	100	100	120	140	120	150
N	mm	70	80	86	86	95	100	100	95	96
O	mm	390	490	520	620	580	640	720	640	750

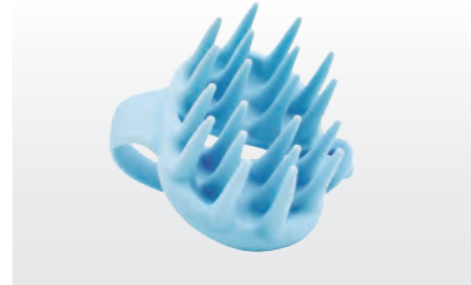
\*Machines are mostly customized, the images are for reference only; actual specifications are based on the finished products.

\*機器皆為客製化，故配備會有所差異，此僅為示意，請以實際為準



## ▶ JD-LS series

Liquid Silicon Injection Molding Machine  
液態矽膠自動射出成型機

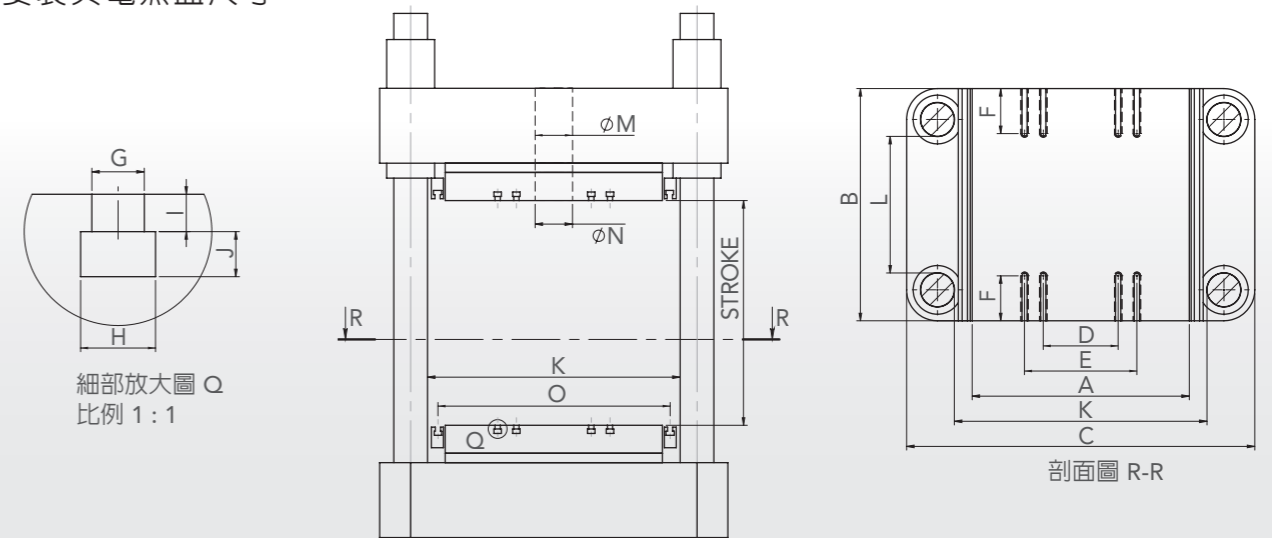


### Features 特色

- ▶ This series of models is suitable for automobile parts, medical equipment, baby products, precision electronics, food containers and other products.
- ▶ Effectively reducing process times and increasing production capacity.
- ▶ PLC and HMI functional control as standard specification.
- ▶ The injection system used a three-stage pressure system and four speed transmission, proportional loop control, accurate precision injection volume with less than 0.5% difference, simple and convenient for operation.
- ▶ The acquisition loop hydraulic system with electronically controlled operation and a choice of using a servo motor for energy saving.
- ▶ Plunger feeding system, accurate AB material proportions, uniform mixing (transparency / tensile / uniform color), can improve product quality yield rate.
- ▶ Touch screen operation system, easy to setup, precise control, with 200 memory module settings.
- ▶ High-precision machining equipment make high quality liquid silicone products with a stable and high production rate.

- ▶ 本系列機種，適用於汽機車零件、醫療器材、嬰兒用品、精密電子、及食物容器等產品
- ▶ 有效縮減製程時間，提高產能
- ▶ PLC可程式控制器及人機介面為標準配備
- ▶ 射出系統採用三段壓力四段速度，比例迴路控制，射膠精度準確0.5%，操作簡易方便
- ▶ 油路系統採集中迴路，配合電控操作，亦可選用節流之伺服馬達方式
- ▶ 柱塞式進料系統，AB劑比例精準，混合均勻（透明度/抗拉強度/顏色均勻），可提升產品的品質良率，料桶容易更換，可選擇20公升或200公升
- ▶ 採用數位化的觸控螢幕操作，設定簡單方便，可精準控制，並記憶200組模組位置
- ▶ 高精密度的設備零件加工，使液態矽膠產品達到高良率的穩定成型

## ▶ JD-LS series - Mold Installation & Heating Plate Dimension 模具安裝與電熱盤尺寸



Model	型號	JD-LS65T	JD-LS80T	JD-LS200T	
Shot Volume	射膠量	135/470	135/470	135/470	c.c.
Injection Pressure	射出壓力	800/460	800/460	800/460	kgf/cm <sup>2</sup>
Injection Cylinder Pressure	射出油缸壓力	80/140	80/140	80/140	kg/cm <sup>2</sup>
Injection Rate	射出速率	60/200	60/200	60/200	c.c./sec
Clamping Force	鎖模力	65	80	200	Ton
Plate Size	盤面尺寸	350×380	430×490	550×620	mm
Piston Diameter	活塞直徑	200	230	355	mm
Piston Stroke	活塞行程	380	380	480	mm
Space Between Tie Bar	圓柱內距	430×200	475×300	675×365	mm
Oil Hydraulic System	油壓系統用	7.5	7.5	10	HP
Hot Oil Cycling Motor	熱煤油循環馬達	0.5*2	0.5*2	0.5*2	kw
Platen Heating Capacity	盤面加熱用	7.6	9.6	20.8	kw
System Pressure	系統壓力	210	210	210	kg/cm <sup>2</sup>
Oil Tank Capacity	油箱容量	250	300	370	liters
Machine Dimensions	機械尺寸	1300×900×2850	1680×980×1930	2830×2000×3940	mm
Machine Weight (Approx)	機械重量	4100	5500	6500	kg

Model	型號	JD-LS65T	JD-LS80T	JD-LS200T
Stroke DIM	活塞行程尺寸	380	380	480
A	mm	350	430	550
B	mm	380	490	620
C	mm	610	670	930
D	mm	150	200	200
E	mm	-	-	300
F	mm	90	135	120
G	mm	13	18	18
H	mm	21	25	25
I	mm	10	10	10
J	mm	11	12	12
K	mm	430	475	675
L	mm	200	300	365
M	mm	100	100	100
N	mm	70	80	86
O	mm	390	-	620

\*Machines are mostly customized, the images are for reference only; actual specifications are based on the finished products.

\*機器皆為客製化，故配備會有所差異，此僅為示意，請以實際為準

## ▶ JD-RC series

C-Frame Rubber Injection Molding Machine  
C型牆板橡膠自動射出成型機



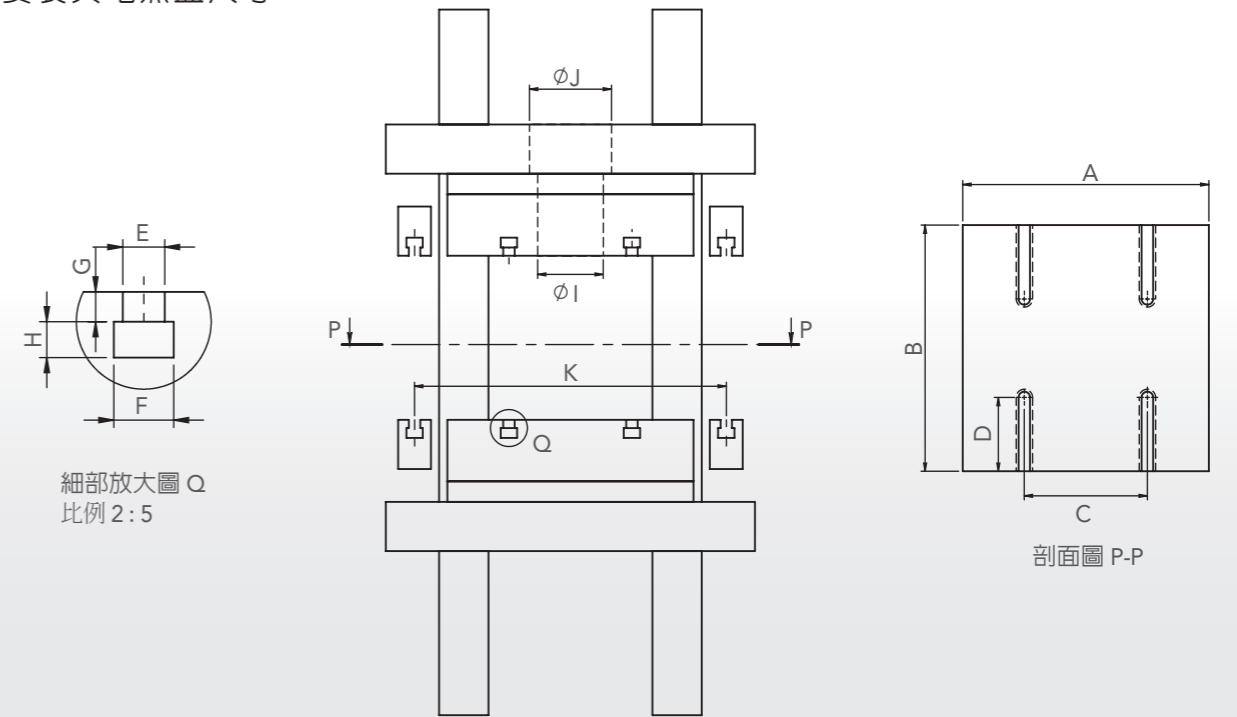
### Features 特色

- ▶ This series is suitable for natural rubber, synthetic rubber, oil resistant, heat resistant rubber and recycled rubber.
- ▶ PLC and HMI functional control as standard specification.
- ▶ C-type structure design, for long strip types, such as doors and window sealant strips, insulation barriers, for product manufacturing convenience.
- ▶ Specialized nozzle design to prevent material overflow.
- ▶ Specialized feeding device.

- ▶ 本系列機種適用於天然橡膠、合成橡膠、耐油、耐熱橡膠及再生橡膠等製品
- ▶ PLC可程式控制器及人機介面為標準配備
- ▶ C型結構設計，針對長條類型，如門窗密封膠條、絕緣礙子，產品製作便利性
- ▶ 專利防溢射出頭裝置
- ▶ 專利進料裝置

## ▶ JD-RC series - Mold Installation & Heating Plate Dimension

模具安裝與電熱盤尺寸



Model	型號	JD-RC20T	JD-RC30T	JD-RC40T	JD-RC50T
Stroke DIM	活塞行程尺寸	320	400	400	400
A	mm	400	400	400	400
B	mm	400	400	400	400
C	mm	150	150	150	150
D	mm	90	90	90	90
E	mm	14	14	14	14
F	mm	20	20	20	20
G	mm	10	10	10	10
H	mm	10	10	10	10
I	mm	100	100	100	100
J	mm	100	100	100	100
K	mm	450	450	450	450

Model	型號	JD-RC20T	JD-RC30T	JD-RC40T	JD-RC50T	
Shot Volume	射膠量	100	300	300	300	c.c.
Injection Pressure	射出壓力	1600	1000	1000	1400	kgf/cm <sup>2</sup>
Injection Cylinder Pressure	射出油缸壓力	160	160	160	160	kg/cm <sup>2</sup>
Injection Rate	射出速率	65	105	105	140	c.c./sec
Screw Diameter	螺桿直徑	32	32	32	32	mm
Strip Dimension (T×W)	適用膠條尺寸(厚×寬)	6×30	6×30	6×30	6×30	mm
Clamping Force	鎖模力	20	30	40	50	Ton
Plate Size	盤面尺寸	400×400	400×400	400×400	400×400	mm
Piston Diameter	活塞直徑	70×2	100×2	120×2	130×2	mm
Piston Stroke	活塞行程	320	400	400	400	mm
Oil Hydraulic System	油壓系統用	5	5	5	7.5	HP
Hot Oil Cycling Motor	熱煤油循環馬達	0.5	0.5	0.5	0.5	kw
Platen Heating Capacity	盤面加熱用	9.6	9.6	9.6	9.6	kw
System Pressure	系統壓力	210	210	210	210	kg/cm <sup>2</sup>
Oil Tank Capacity	油箱容量	200	240	240	240	liters
Machine Dimensions	機械尺寸	1010×1100×2800	1120×1300×2950	1170×1700×3050	1830×2250×2800	mm
Machine Weight (Approx)	機械重量	2500	3000	4000	5000	kg

\*Machines are mostly customized, the images are for reference only; actual specifications are based on the finished products.  
\*機器皆為客製化，故配備會有所差異，此僅為示意，請以實際為準

## ▶ JD-HV series

Vacuum Type Oil Hydraulic Molding Machine  
真空罩油壓成型機

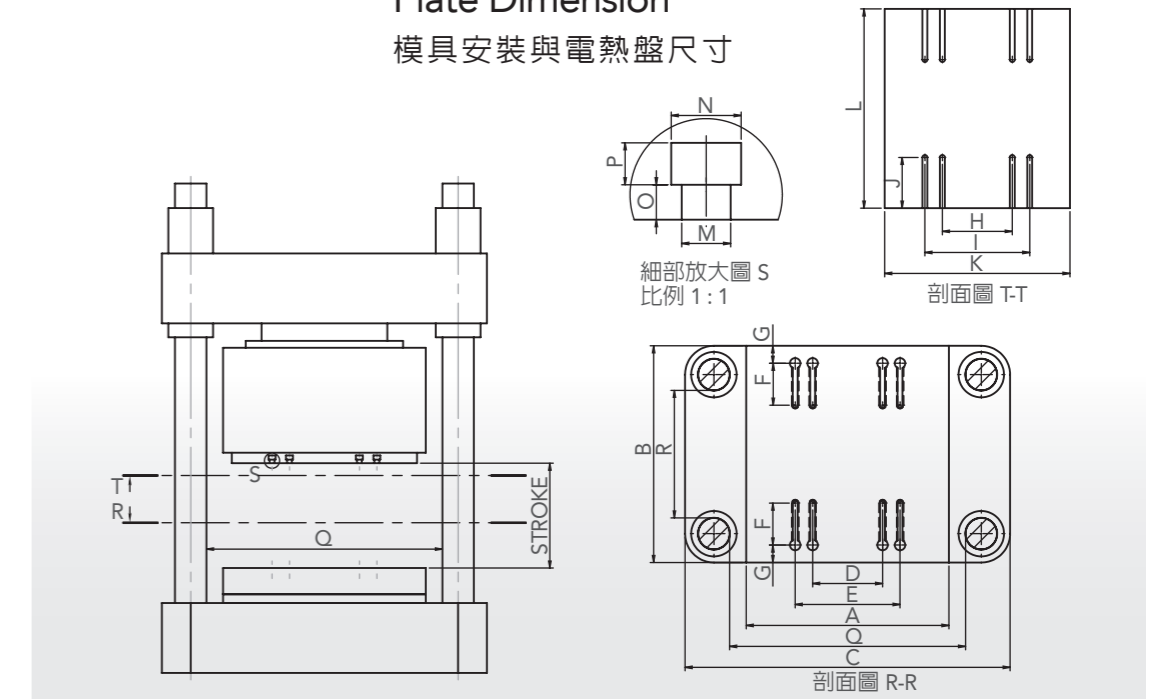


### Features 特色

- ▶ Ideal for the production of making packing O-rings, keyboards, rubber medical products, etc.
- ▶ PLC and HMI functional control as standard specification.
- ▶ The vacuum suction hood provides highly efficient vacuum suction effect for the entire mold inside the working platen, suction speed of 700HG/2sec. The unit has a simple construction, so it is easy to operate and maintain, with fast mold changing.
- ▶ Integrated hydraulic circuits provide various pipe functions on the circuit boards, reducing piping to a minimum. The oil cooler ensures long service life of the circuit valve.
- ▶ The motion time, and a number of other parameters can be conveniently set on the control panel to meet product variations, ensuring production quality.
- ▶ Combines two molding units in one machine, which can be operated separately.
- ▶ While in vulcanization molding operations, the hydraulic pump motor can be set for running, or stopped for power saving.
- ▶ The electric system is controlled by the PLC controller, allowing for easy operation and accurate adjustment. An emergency switch provides added safety for the mold and the operator.
- ▶ 本系列機種，適用各類橡膠產品製造，如橡膠襯墊(迫緊)、O型環、鍵盤墊片、醫療用橡膠製品...等
- ▶ PLC可程式控制器及人機介面為標準配備
- ▶ 以真空罩方式對工作盤面內之模具作整體性密封抽真空，抽真空效率高、速度700HG/2秒，結構簡單，操作容易且便於維修，模具更換方便
- ▶ 油壓採集體迴路，使管路設定在油路板上，其配管少，附有冷卻器，可增長油路開關壽命
- ▶ 機台之動作時間，距離及次數可隨成品之需要在人機上選擇輸入，不但操作方便，更可使產品愈臻理想
- ▶ 雙台份成型機，可獨立操作
- ▶ 產品加硫成型時，油壓馬達可選擇停止與否，以節約能源
- ▶ 電氣系統，採可程式控制器控制，操作簡易，調整精準。並附設有緊急停止開關，以確保模具、成品及人員安全

## ▶ JD-HV series - Mold Installation & Heating Plate Dimension

模具安裝與電熱盤尺寸



Model	型號	JD-HV65T	JD-HV80T	JD-HV150T	JD-HV200T	JD-HV300T	JD-HV400T
Stroke DIM	活塞行程尺寸	380	380	320	360	360	630
A	mm	410	440	510	620	730	900
B	mm	410	490	510	620	730	900
C	mm	610	670	780	930	1060	1290
D	mm	-	-	200	200	200	300
E	mm	200	200	300	300	400	500
F	mm	90	105	110	160	200	220
G	mm	30	30	40	50	50	70
H	mm	-	-	200	200	200	300
I	mm	150	200	300	400	400	500
J	mm	100	100	150	170	200	300
K	mm	350	380	450	550	650	800
L	mm	350	430	450	550	650	800
M	mm	18	18	18	18	18	18
N	mm	25	25	25	25	25	25
O	mm	10	10	10	10	10	10
P	mm	12	12	12	12	12	12
Q	mm	430	475	550	675	795	970
R	mm	200	300	300	365	455	580

Model	型號	JD-HV65T	JD-HV80T	JD-HV150T	JD-HV200T	JD-HV300T	JD-HV400T	JD-HV2-150T	JD-HV2-200T	JD-HV2-260T	JD-HV2-300T
Clamping Force	鎖模力	65	80	150	200	300	400	150	200	260	300
Plate Size	盤面尺寸	350×350	380×430	450×450	550×550	650×650	800×800	450×450	550×550	570×610	650×650
Piston Diameter	活塞直徑	200	230	310	355	430	500	310	355	400	430
Piston Stroke	活塞行程	380	380	320	360	360	630	320	360	420	360
Max Mold Thickness	最大模具厚度	200	250	170	310	310	320	170	310	250	310
Space Between Tie Bar	圓柱內距	430×200	475×300	550×300	675×365	795×455	970×580	550×300	675×365	660×350	795×455
Oil Hydraulic System	油壓系統用	5	5	7.5	7.5	10	10	7.5×2	7.5×2	7.5×2	10×2
Platen Heating Capacity	盤面加熱用	4.8	9.6	12	13.5	20	30	12	13.5	16	20
System Pressure	系統壓力	210	210	210	210	210	210	210	210	210	210
Oil Tank Capacity	油箱容量	260	300	300	400	480	600	430	520	555	670
Machine Dimensions	機械尺寸	1680×1980×2365	1600×1200×1920	1850×1510×2424	1930×1755×2885	2150×2065×3220	2400×2868×3700	3120×1350×2580	3390×1465×2620	1905×3580×3130	3650×1665×3110
Machine Weight (Approx)	機械重量	2600	2800	3000	6300	6800	12500	9600	12500	15000	17000

\*Machines are mostly customized, the images are for reference only; actual specifications are based on the finished products.  
\*機器皆為客製化，故配備會有所差異，此僅為示意，請以實際為準

## ▶ JD-H series

Hydraulic Molding Machine  
立式自動油壓成型機

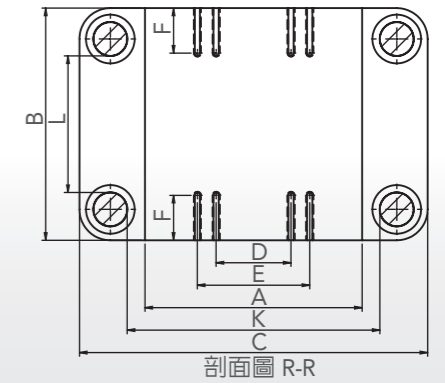
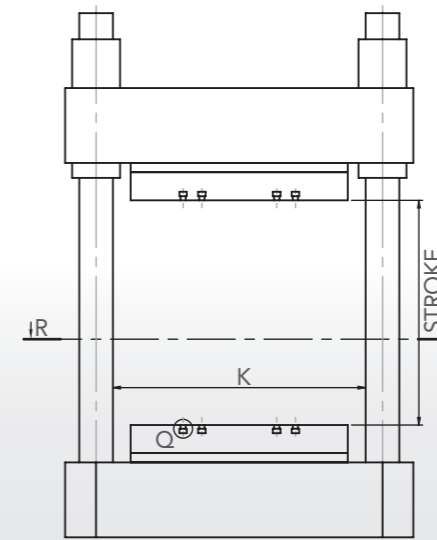
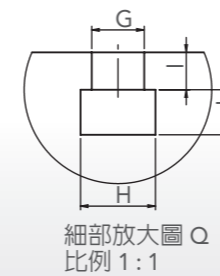


### Features 特色

- ▶ This series of machines is suitable for molding many different plastic related materials. Such as rubber, melon dishes, bakelite, urea powder, foaming, brakes, etc.
  - ▶ PLC and HMI functional control as standard specification.
  - ▶ Integrated hydraulic circuit provides various pipe functions on the circuit boards, reducing piping to a minimum. The oil cooler ensures long service life of the circuit valve.
  - ▶ The motion time, and a number of other parameters can be conveniently set on the control panel to meet product variations, ensuring production quality.
  - ▶ Combines two molding units in one machine, which can be operated separately.
  - ▶ While in vulcanization molding operations, the hydraulic pump motor can be set for running, or stopped for power saving.
  - ▶ The electric system is controlled by the PLC controller, allowing for easy operation and accurate adjustment. An emergency switch provides added safety for the mold and the operator.
- ▶ 此系列機種適用於易塑性原料之成型作業。如橡膠、美耐皿、電木、尿素粉、發泡、煞車來令片...等
  - ▶ PLC可程式控制器及人機介面為標準配備
  - ▶ 油壓採集體迴路，使管路設定在油路板上，其配管少，附有冷卻器，可增長油路開關壽命
  - ▶ 機台之動作時間，距離及次數可隨成品之需要，在人機上選擇輸入，不但操作方便，更可使產品愈臻理想
  - ▶ 雙台份成型機，可獨立操作
  - ▶ 產品加硫成型時，油壓馬達可選擇停止與否，以節約能源
  - ▶ 電氣系統，採用可程式控制器，操作簡易，調整精準。並附設緊急停止開關，以確保模具、成品及人員安全

## ▶ JD-H series - Mold Installation & Heating Plate Dimension

模具安裝與電熱盤尺寸



Model	型號	JD-H50T	JD-H65T	JD-H80T	JD-H100T	JD-H150T	JD-H200T	JD-H300T	JD-H400T	JD-H700T
Stroke DIM 活塞行程尺寸		380	380	380	380	420	480	600	630	760
A	mm	350	350	430	500	510	600	730	900	1200
B	mm	380	380	490	560	510	620	730	900	1200
C	mm	560	610	670	780	780	930	1060	1290	1760
D	mm	-	-	-	200	200	200	300	300	500
E	mm	200	200	200	300	300	400	500	700	1000
F	mm	135	135	135	135	135	200	200	250	350
G	mm	18	18	18	18	18	18	18	18	18
H	mm	25	25	25	25	25	25	25	25	25
I	mm	10	10	10	10	10	10	10	10	10
J	mm	12	12	12	12	12	12	12	12	12
K	mm	395	430	475	575	550	675	795	970	1360
L	mm	220	200	300	345	300	365	455	580	800



Model	型號	JD-H50T	JD-H65T	JD-H80T	JD-H100T	JD-H150T	JD-H200T	JD-H300T	JD-H400T	JD-H700T	JD-H2-150T	JD-H2-200T	JD-H2-300T
Clamping Force	鎖模力	50	65	80	100	150	200	300	400	700	150	200	300
Plate Size	盤面尺寸	350×380	350×380	430×490	500×560	510×510	600×620	730×730	900×900	1200×1200	510×510	600×620	730×730
Piston Diameter	活塞直徑	180	200	230	270	310	355	430	500	660	310	355	430
Piston Stroke	活塞行程	380	380	380	380	420	480	600	630	760	420	480	600
Space Between Tie Bar	圓柱內距	395×220	430×200	475×300	575×345	550×300	675×365	795×455	970×580	1360×800	550×300	675×365	795×455
Oil Hydraulic System	油壓系統用	5	5	5	7.5	7.5	7.5	10	10	25	7.5×2	7.5×2	10×2
Platen Heating Capacity	盤面加熱用	4.8	4.8	9.6	12	12	13.5	20	30	43	12×2	13.5×2	20×2
System Pressure	系統壓力	210	210	210	210	210	210	210	210	210	210	210	210
Oil Tank Capacity	油箱容量	150	250	300	320	340	420	600	650	920	430	520	700
Machine Dimensions	機械尺寸	1300×700×1830	1300×900×2850	1680×980×1930	1770×980×2100	1800×1000×2000	2100×1200×2390	2200×140×280	2395×1590×2800	2800×2000×345	3120×1745×2076	1930×3580×2050	2040×3980×2815
Machine Weight (Approx)	機械重量	2400	2600	2900	3600	3700	5100	7000	11500	14000	7600	11000	14700

\*Machines are mostly customized, the images are for reference only; actual specifications are based on the finished products.  
\*機器皆為客製化，故配備會有所差異，此僅為示意，請以實際為準



## ▶ Customized Machinery 客製化機台展示

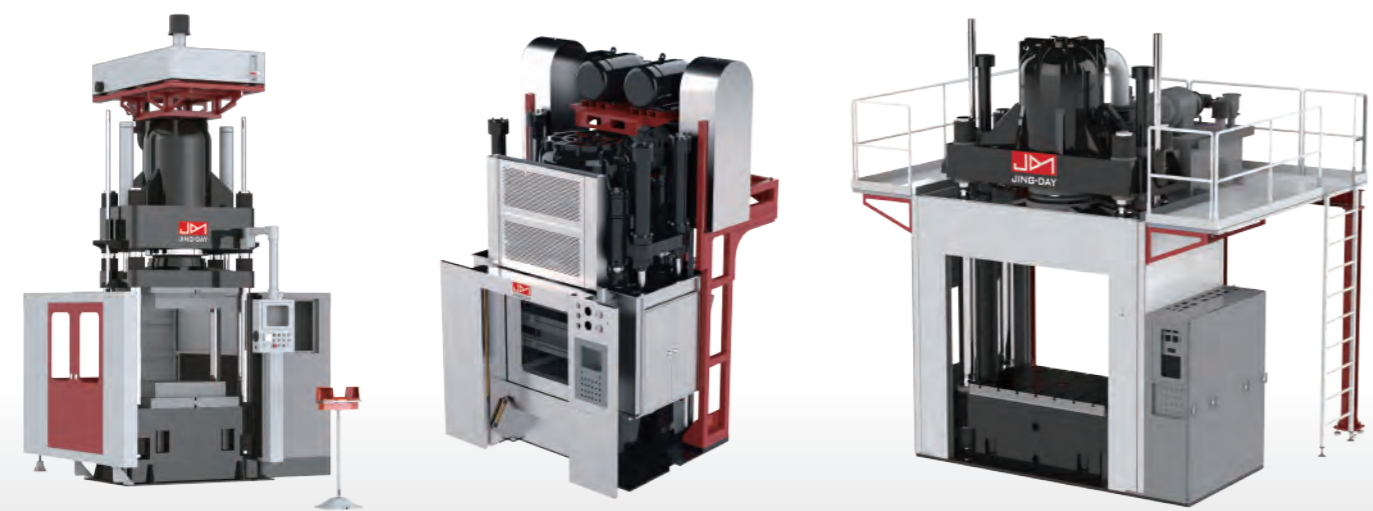
Find Your Solution  
尋找解決方案

With generation after generation, demanding ever increasing and individual product requirements, Customization has become a trend that must be recognized to provide personalized products that meet the demands of the end user. With over 40 years of experience JING DAY is able to use our vast knowledge database to give guidance to our R&D team. This has now culminated in JING DAY taking orders of up to 85% that cover customized machines.

The scope of customization is wide ranging. From the base mechanical structure to adding other special functions that are individual to the specific needs of that particular customer. We have made changes to parts such as the surface, appearance, piping adjustment, and areas such as machine design. If you have a design issue, or custom need. We have the answer that you are looking for!

隨著市場對產品功能、品質更高標的要求，機械客製化已經是必然的趨勢。累積40年豐厚的實戰經驗，完整的數據資料庫和堅強的研發設計團隊，敬啟創造高達85%的客製化機台。

客製化的範圍從機械結構、功能加裝，到盤面、外觀、管路調整，甚至小到機件設計，我們都為著客戶的需求，提供解決方案。



▶ Hydraulic Molding Machine  
立式自動下壓式油壓成型機

▶ Hydraulic Molding Machine  
立式自動下壓式油壓成型機

▶ Hydraulic Molding Machine  
立式自動下壓式油壓成型機

## ▶ Keep Learning and Improving 學習與提升

Our customers operate in many different industries and what is important for the customer, is important for us. Because of this, we accumulate knowledge of all the different industries and the newest technologies that are breaking ground in each of the markets. JING DAY take this technology and adapt it to our own, so that our customers always get the latest on the market. To meet the needs of customers with high-end demands. We also improved our high-end hardware and software. Introducing things such as: Simulation, Composer and giving employees access to workstation-grade computers. This all helps to optimize mechanical structures and improve operational efficiency.

We always strive to build customer trust and continually self-improve. With our technological improvements and focus on precision, we have had a lot of success in the fields producing components for medical and electronic applications. Our machines are mainly exported to countries with stringent requirements such as places in Europe, Japan and The USA. When dealing with any partner, it's not so much a one off sale, but a long term partnership.

透過接觸不同產業的客戶，敬啟積累多元技術，學習尖端知識。更引進高階軟硬體設備，如：Simulation、Composer、工作站等級電腦，達到優化機械結構、提升運算效率，以符合客戶對高端產品的需求。

因著不斷積累客戶的信任和精進自我，更成功跨足醫療、電子等精密領域，受到歐美日等高標準國家的青睞，並建立長期的合作夥伴關係。



## ▶ Communication Through Animation 動畫溝通

Through Composer animation software, we are able to easily show our customers the design concepts, through software that simulates the actual proposed functions of the machine. This effectively reduces any barriers to language or terminology.

透過Composer動畫軟體，將設計概念經由模擬實際作動功能，有效減少語言和專業術語的障礙，讓供需溝通更精準。



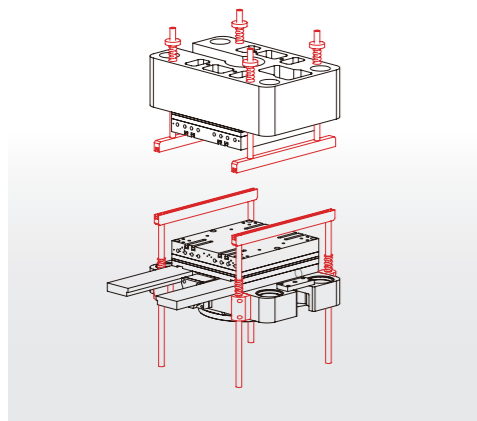
## ▶ Data Structure Analysis Software 數據化結構

Our software provides high-level simulation testing. This eliminates design challenges and helps us to accurately optimize the mechanical structure of every individual customized machine.

透過高階的Simulation分析軟體，與多年經驗，排除設計難題，具體優化機械結構。

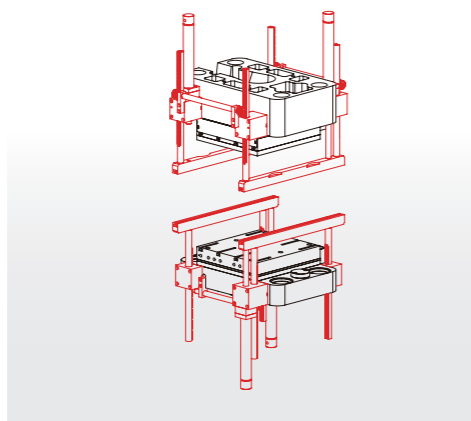
## ► Optional 選配

Providing You with More Choice  
提供更多選擇



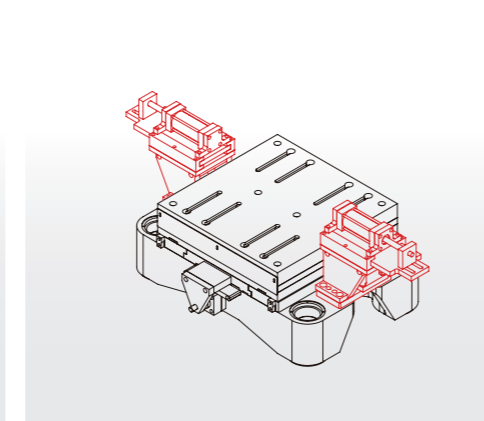
### ► Mechanical Dead Weight Upper & Lower Core Ejectors 機械自重式上下懸吊模

Opens the mold and quickly fasten the 2-4 layer mold to the fixed point, greatly reducing the machine operation time.  
開模即快速將2-4層模具到定點，大幅降低機台做動時間



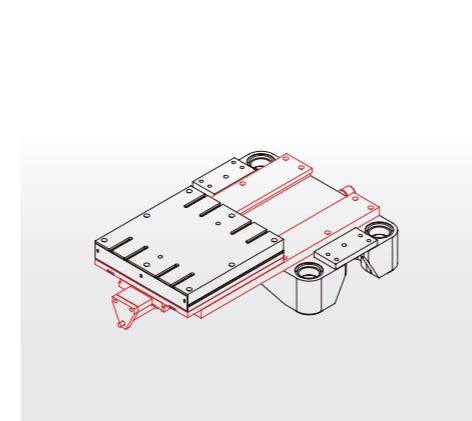
### ► Oil Hydraulic Drive Upper & Lower Core Ejectors 油壓驅動式上下懸吊模

Hydraulic power design, synchronous gear movement design, stable operation. Suitable for 2-4 layer molds, self-adjusting mold opening distance and improving efficiency.  
油壓式動力設計，排齒同步做動設計，運作平穩。適用於2-4層模具，可自行調整開模距離，提高效能



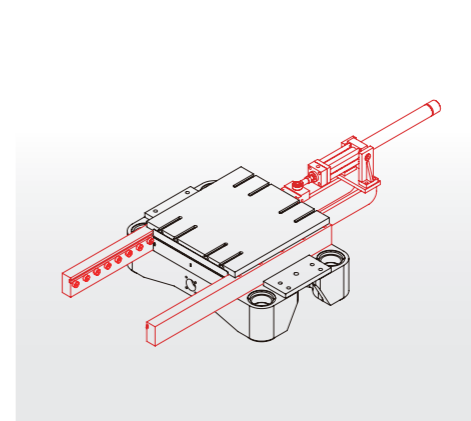
### ► Clamping Unit 強制夾模

Preventing core mold stick on top mold while mold open.  
多層模具需將中層模具強制夾持脫離功能設計



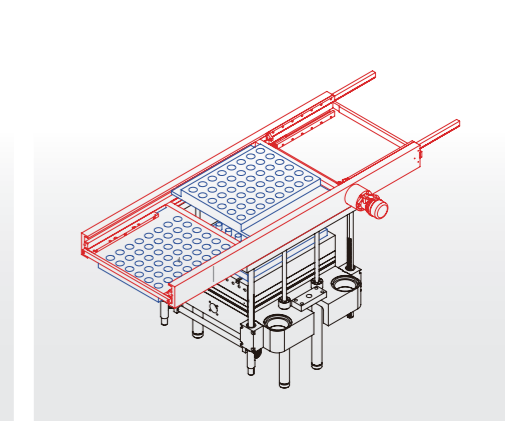
### ► Lower Platen Sliding Device 出入模結構

Mold sliding device, makes it easier to change the mold and both place and remove the material.  
藏入式油缸設計，高精度及特殊熱處理之滑軌。「原料置入」及「成品取出」之便利性



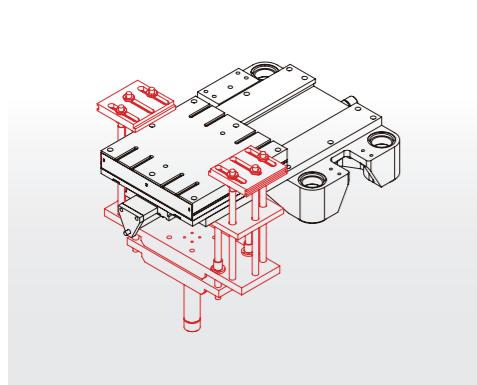
### ► Lower Platen Sliding Device-Bearing Type 出入模結構-滑軌埋軸承式

Bearing type mold sliding device, makes it easier to change the mold and both place and remove the material.  
後製式油缸設計，高精度軸承及特殊熱處理之滑軌。配合模具需有頂出裝置



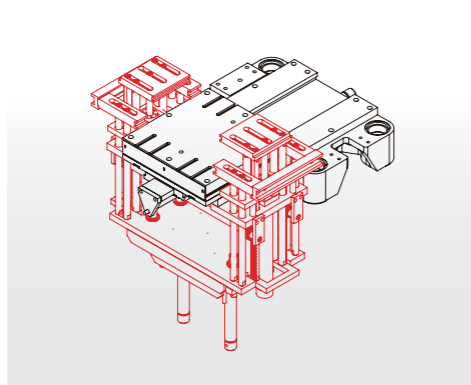
### ► Shuttle Platen Device AB交換模結構

Dual mold switching device, increases production quantity.  
油壓馬達連動雙副模具之設計，同步交換運作，提升效率及產能



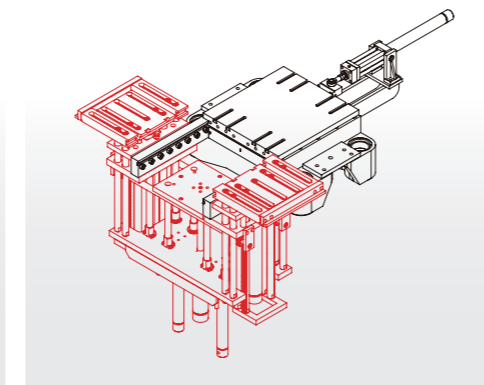
### ► One Layer Outside Ejector 一層式外托模結構

Raises the mold plate, while sliding out the mold.  
模具移出，分離雙層模具之設計



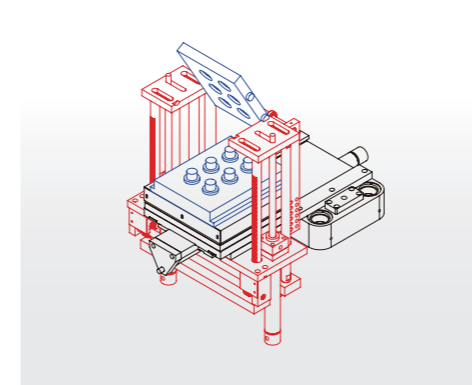
### ► Two Layers Outside Ejector 二層式外托模結構

Raises the mold plates, while sliding out the mold.  
模具移出，分離雙層模具之設計



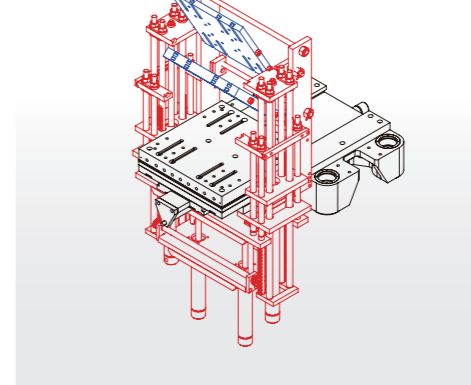
### ► Two Layers Outside Ejector & Outside Bottom Ejector 二層式外托模結構+下托模結構

Raises the mold plate, while sliding out the mold. Including one middle core mold ejector.  
模具移出，分離雙層模具並使產品從模具頂出之設計



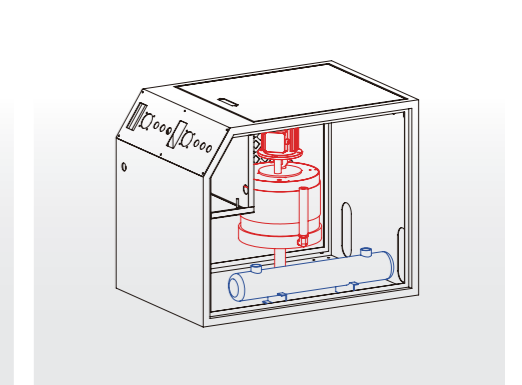
### ► One Layer of Outside Tilting Device 一層托模後再翻轉結構

The mold is removed and tilted at an angle that allows the product to be removed safely, without the need for the operator to get close to the hot mold.  
模具移出，分離單層模具後，再傾斜適當角度，讓使用者有足夠空間取出成品，以防止手接觸到高溫模具



### ► Two Layer of Outside Tilting Device 二層托模後再翻轉結構

The mold is removed, with the double layer being separated and tilted at an angle that allows the product to be removed safely, without the need for the operator to get close to the hot mold.  
模具移出，分離雙層模具後，再傾斜適當角度，讓使用者有足夠空間取出成品，以防止手接觸到高溫模具



### ► Mold Temperature Controller 模具溫控裝置

Heating device with oil. To stabilize temperature.  
適合冷流道加熱循環，溫控穩定，簡易操作和保養